

Features

- Flexible Modular System
- Hot-Swappable Modules
- Dual Redundant Power Supplies
- Optional Communications Module with GUI
- Up to 40 GHz Operation
- Custom Modules

Applications

- Broadband Communications
- Antenna Remoting
- Radar Systems
- Sensing Systems

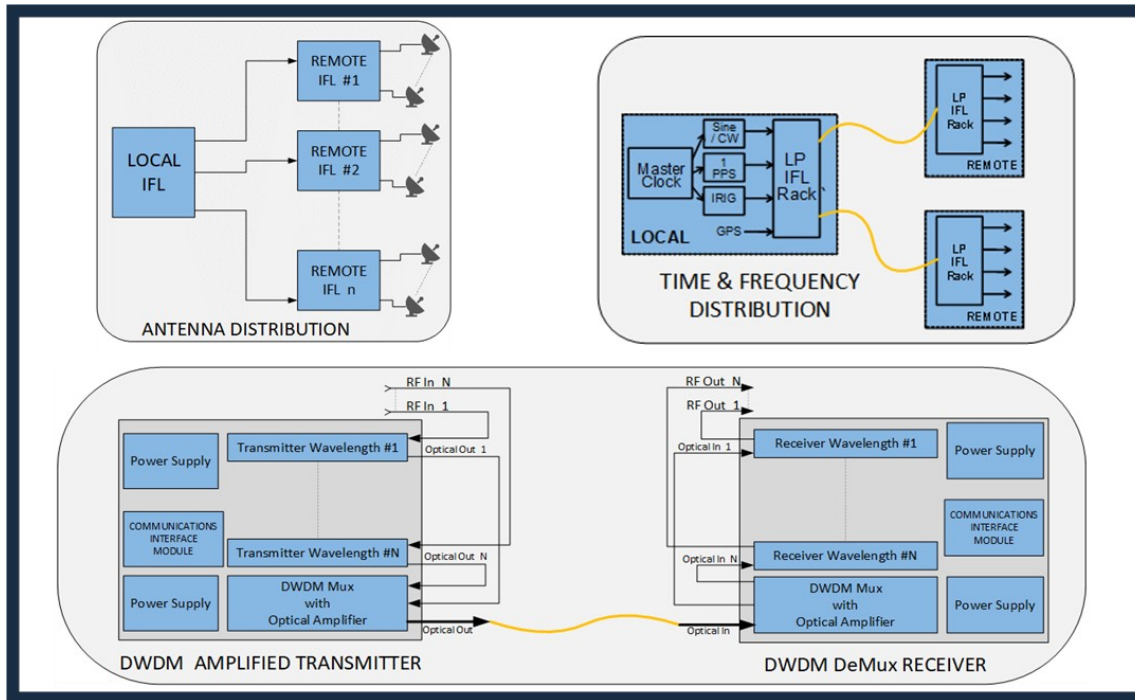


Description

MACOM IFL Rack Subsystems provide high density, high reliability, interchangeable interfacility communications links in a standard 1RU chassis. Applications include Signal and Antenna Distribution, Communications, Radar, Testing, Campus networking, Precision Time and Frequency Distribution, Delay Lines, and Information Processing.

The 1RU Chassis allows any mix of up to six single-wide or three double-wide plug-in modules, with frequency range options up to 40 GHz. The Chassis features dual-redundant power supplies (AC and DC options), and an optional Communications Interface Module (CIM) that provides data communications and a Graphical User Interface. All link modules are hot-swappable for plug-and-play operation.

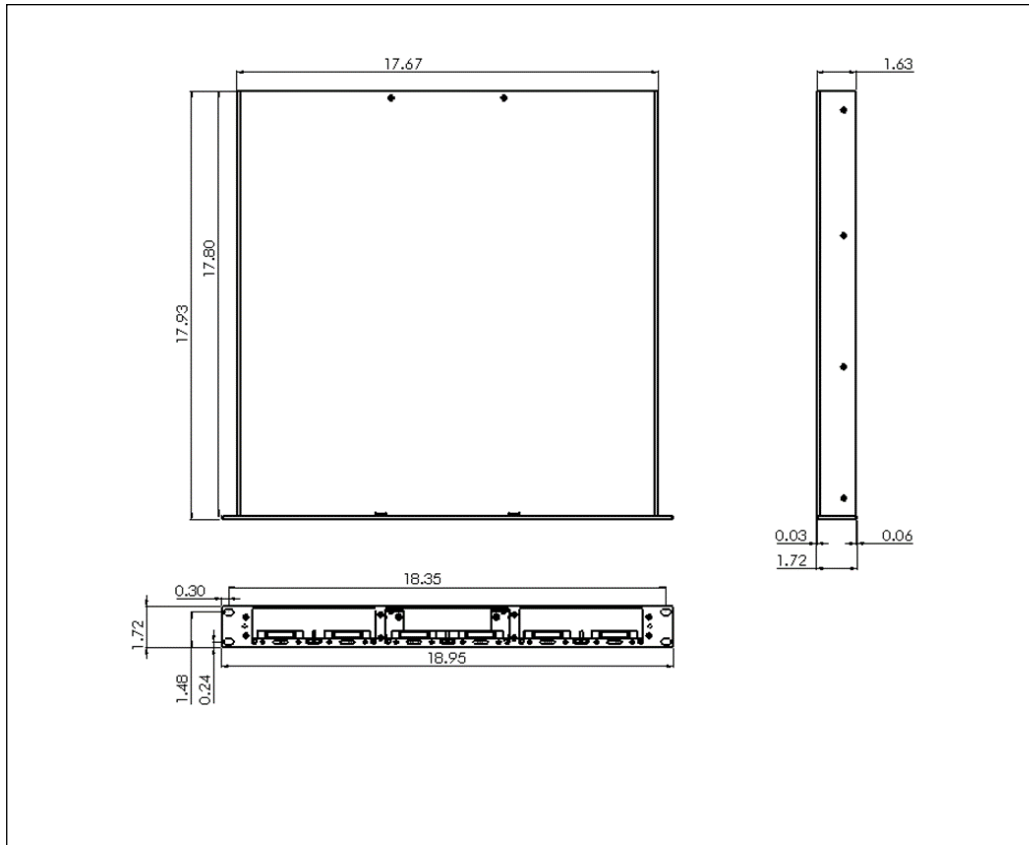
MACOM offers a wide variety of active and passive plug-in modules, including RF-to-Fiber Optic Transmitters and Receivers, RF Mux and DeMux modules, Fiber Optic CWDM and DWDM modules, RF Low Noise amplifier modules, Erbium Doped Fiber Amplifier (EDFA) modules, and Customized modules configured with any RF and Fiber components required to meet your specific needs.



Electrical Characteristics

Parameter	Units	Value
Operating Temperature	°C	0 - 50
Storage Temperature	°C	-20 - +70
Dimensions	Inches	18.9 x 18.75 x 1.7
Power	W	55 (at full rack capacity)
Capacity		6 Single-Wide Slots
AC Input		95 - 260 V 50/60 Hz 2 A fused
AC Line Fuse		5x20 mm 2A T-LAG
Power Supply Front Panel Status Indicators		Red = Alarm, Green = OK, Off = Unused
Weight		12 lbs (including dual power supplies)

Outline



IFL Rack 1RU Chassis Specifications	
Operating Temperature	0°C to 50°C
Storage Temperature	-20°C to +70°C
Dimensions w x l x h inch(cm)	18.9 x 18.75 x 1.7 (7.5 x 7.4 x 1.7)
Capacity	6 single-wide slots
AC Input	95 - 260 V 50/60 Hz 2 A fused
AC Line Fuse	5x20 mm 2A T-LAG
Power Supply Front Panel Status Indicators	RED=ALARM, GREEN=OK, OFF= Unused
Power	55 Watts at full rack capacity
Empty Weight	12 lbs including dual power supplies

IFL 1RU Chassis Ordering Information

Part Number	Description
IFL-RACK	1RU Rack Chassis
IFL-RACK-PS	1RU Rack Chassis with Dual Power Supplies
IFL-RACK-PS1	1RU Rack Chassis with One Power Supply
IFL-RACK-PS-C	1RU Rack Chassis with Dual Power Supplies and Communications Interface Module
IFL-Rack-PS1-C	1RU Rack Chassis with 1 Power Supply and Communications Interface Module
IFL-PS	AC Power Supply Module
IFL-PS-DC	DC Power Supply Module (18VDC - 72V DC)
IFL-CIM	Communications Interface Module
IFL-PS-BP	Power Supply Blank Panel*
IFL-CIM-BP	Communications Interface Blank Panel*
IFL-SW-BP	Single-Wide Blank Panel*
IFL-DW-BP	Double-Wide Blank Panel*
*Blank Panel Required for any Unoccupied Module Position	

MACOM Technology Solutions Inc. ("MACOM"). All rights reserved.

These materials are provided in connection with MACOM's products as a service to its customers and may be used for informational purposes only. Except as provided in its Terms and Conditions of Sale or any separate agreement, MACOM assumes no liability or responsibility whatsoever, including for (i) errors or omissions in these materials; (ii) failure to update these materials; or (iii) conflicts or incompatibilities arising from future changes to specifications and product descriptions, which MACOM may make at any time, without notice. These materials grant no license, express or implied, to any intellectual property rights.

THESE MATERIALS ARE PROVIDED "AS IS" WITH NO WARRANTY OR LIABILITY, EXPRESS OR IMPLIED, RELATING TO SALE AND/OR USE OF MACOM PRODUCTS INCLUDING FITNESS FOR A PARTICULAR PURPOSE, MERCHANTABILITY, INFRINGEMENT OF INTELLECTUAL PROPERTY RIGHT, ACCURACY OR COMPLETENESS, OR SPECIAL, INDIRECT, INCIDENTAL, OR CONSEQUENTIAL DAMAGES WHICH MAY RESULT FROM USE OF THESE MATERIALS.

MACOM products are not intended for use in medical, lifesaving or life sustaining applications. MACOM customers using or selling MACOM products for use in such applications do so at their own risk and agree to fully indemnify MACOM for any damages resulting from such improper use or sale.